

BODY TEMPERATURE DETECTION NETWORK CAMERA

BODY TEMPERATURE DETECTION NETWORK CAMERA WITH SMART FEATURES



The AVYCON AVC-BTDND08FT-DU camera is a Body Temperature Detection Network Camera with Video Analytics. This IP camera comes equipped with two sensors: one thermal 384 x 288 sensor (uncooled IRFPA microbolometer) with a 12.3mm thermal imaging lens, and one visible light 5MP (2592 x 1944) sensor with an 8mm lens. The AVC-BTDND08FT-DU can detect up to 30 targets concurrently. With support for an alarm input and output, this camera can be connected to an existing access control to alert the system when abnormal body temperatures are detected. Smart analytics include Smart Body, Perimeter, Single and Double Virtual Fences detection, as well as abandoned/Removed object detection. This camera has an IP67 outdoor rating and can be powered by DC 12V and PoE 802.3af (<9W).

FUNCTIONS

Thermal

- 384 x 288 uncooled detector
- 17µm, NETD: <35mK @77°F (@25°C), F#=1.0
- 12.3mm thermal imaging lens
- Temperature accuracy: ±0.54°F (0.3°C) with black body
- ACB, DPC, 3D DNR, DDE
- Multi-palette: white, black, pseudo-color
- Temperature exception alarm

Visible Light

- 5MP (2592 x 1944) @ 30 fps
- 1/2.7" BSI +NIR progressive CMOS image
- Min. Illumination: Color: 0.0125lux@F2.0; AGC On
 B / W: 0.008lux@F2.0; AGC On
- 8mm visible light lens
- 3D DNR, true WDR (120dB), HLC, BLC
- Built-in white light and loudspeaker
- Captures 30 faces simultaneously

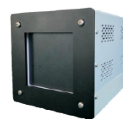
Thermal Camera



AVC-BTDND08FT-DU

- Thermal: 384 x 288, lens: 12.3mm
- Optical: 2592 x 1944@ 30 fps, lens: 8mm
- Accuracy: ± 0.9°F (±0.5°C) without black body
 ± 0.54°F (±0.3°C) with black body
- Measurement range: 86°F ~ 107.6°F (30°C ~ 42°C)

Black Body



AVB-BDF08-1B

- Resolution for temperature: 0.18°F (0.1°C)
- Accuracy: ±0.36°F (±0.2°C)
- Stability: ±0.18°F ~36F°/h (±0.1°C ~ 0.2C°/h)
- Effective Emissivity: 0.97±0.02
- Environment Temperature: 32°F ~ 104°F (0°C ~ 40°C)



AVC-BTDND08FT-DU

BODY TEMPERATURE DETECTION NETWORK CAMERA

SPECIFICATIONS

THERMAL CAMERA		INTERFACES	
Detector Type	17µm 384x288 Vanadium oxide uncooled	Network	RJ45
NETD	<35mK @77°F (@25°C), F#1.0	Video Output	No
Field of View	Fixed Iris	Audio	1CH audio input; 1CH built-in speaker
Iris Type	12.3mm@F1.0	Storage	Built-in microSD card slot; up to 256GB
Lens	29.7° x 22.5° (H x V)	Reset	Yes
Min. Focusing Distance	1.34m	RS 485	Yes
Temperature Measuring Distance	2-6m	Alarm	1CH alarm input; 1CH alarm output
Color Palettes	Black, White, Pseudo-color	FUNCTIONS	
VISIBLE LIGHT MODULE		Temperature Measurement	±0.9°F (±0.5°C) without black body ±0.54°F (±0.3°C) with black body A maximum of 30 people can be measured simultaneously.
Image Sensor	1/2.7" CMOS	Temperature Alarm	High temperature alarm, low temperature alarm, temperature exception alarm
Image Size	2592 x 1944	Remote Monitoring	Web browsing, CMS remote control
Electronic Shutter	1/30 ~ 1/1000000s	Online Connection	Supports simultaneous monitoring for up to 10 users. Supports multi-stream real time transmission.
Iris Type	Fixed Iris	Network Protocol	IPv4, IPv6, UDP, DHCP, NTP, RTSP, PPPoE, DDNS, SMTP, FTP, SNMP, 802.1x, UPnP, HTTP, QoS
Min. Illumination	0.0125 lux@F2.0, AGC ON; 0 lux with IR 0.0045 lux@F1.2, AGC ON; 0 lux with IR	Interface Protocol	ONVIF
Lens	8mm@F2.0	Storage	Network remote storage; micro SD card storage
Field of View	38° x 27.5° (H x V)	Smart Alarm	Motion detection, SD card error, SD card full, IP address conflict, Cable Connection
Wide Dynamic Range	120dB	Intelligent Analytics	Region intrusion / entrance / exiting / (human / vehicle classification), line crossing (human / vehicle classification), scene changing detection, missing / abandoned object detection, crowd density detection, line crossing people / vehicle counting, face detection, face capture
BLC	Yes	Sound & Light Warning	Yes
HLC	Yes	General Function	Watermark, IP address filtering, video mask, heartbeat, password protection, non-photosensitive switch, image distortion correction
Defog	Yes	PoE	Yes, IEEE802.3af, class0
Digital NR	2D / 3D DNR	IR Distance	20 ~ 30m
IMAGE		Ingress Protection	IP67
Video Compression	Smart H.265 / H.265+ / H.265 / SmartH H.264 / H.264+ / H.264 / MJPEG	GENERAL	
H.264 Compression Standard	Baseline Profile / Main Profile / High Profile	Power Supply	DC12V / POE
Resolution	Thermal: 384 x 288 Visible Light: 5MP (2592 x 1944), 4MP (2592 x 1520), 2K (2560 x 1440), 3MP (2304 x 1296), 1080P (1920 x 1080), 720P (1280 x 720), D1, CIF, 480 x 240	Power Consumption	<9W
Main Stream	Thermal: 60Hz: 384 x 288 @ 30fps 50Hz: 384 x 288 @ 25 fps Visible Light: 60Hz: 5MP / 4MP / 2K / 3MP / 1080P / 720P @ 30fps 50Hz: 5MP / 4MP / 2K / 3MP / 1080P / 720P @ 25fps	Operating Temperature	68°F ~ 122°F (20°C ~ 50°C) Humidity less than 90% (non-condensing) Temperature Screening Mode: 50°F ~ 95°F (10°C ~ 35°C), no wind
Sub Stream	Thermal: 60Hz: 384 x 288 @ 30fps 50Hz: 384 x 288 @ 25 fps Visible Light: 60Hz: 720P / D1 / CIF @ 30fps 50Hz: 720P / D1 / CIF @ 25fps	Certifications	CE, FCC, RoHS2.0, REACH, WEEE
Third Stream	60Hz: D1 / CIF / 480 x 240 @ 30fps 50Hz: D1 / CIF / 480 x 240 @ 25fps	Dimensions	10.96" x 3.94" x 3.49" (278.3mm x 100.1mm x 88.7mm)
Image Settings	ROI, Saturation, Brightness, Chroma, Contrast, Wide Dynamic, Sharpen, etc. adjustable through client software or web browser	Net Weight	2.4lbs (1.1kg)
Video & Data Overlay	The thermal image can be overlaid on visible light image. The temperature can be overlaid on visible light image.	Installation	Ceiling Mounting; Wall Mounting
Audio Compression	G.711A/U		
ROI	8 regions; each ROI to be configured separately		

OPTIONAL ACCESSORIES

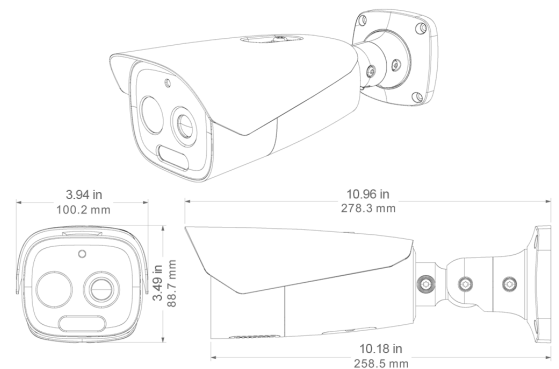


Tripod



AVB-BDF08-1B (Black Body)
for Higher Accuracy (±0.54°F / ±0.3°C)

DIMENSIONS



AVYCON[®]

Copyright © AVYCON. All rights reserved. Specifications and pricing are subject to change without notice.

phone: 949-752-7606
 email: info@avycon.com
 social: @avycon_aivo
 website: avycon.com